



**0019**



Swaged Ferrule (skive)

136



**0350M**



BSP Male Parallel 60° cone

136

**0050M**



BSP Female 60° cone Thrust Wire

137

**0150M**



BSP 90° Swept Elbow 60° cone Thrust Wire

137

**0250M**



BSP 45° Swept Elbow 60° cone Thrust Wire

138



**0850M**



JIC Male 74° cone

138

**0900M**



JIC Female 74° cone Thrust Wire

139

**0950M**



JIC 90° Swept Elbow 74° cone Thrust Wire

139

**1000M**



JIC 45° Swept Elbow 74° cone Thrust Wire

140



**0370M**



NPTF Male 60° cone

140



**0450M**



Metric Male 24° Seat Heavy

141

**0084M**



Metric Female 24° Seat Heavy

141

**0184M**



90° Metric Swept Elbow 24° Seat Heavy

142

**0284M**



45° Metric Swept Elbow 24° Seat Heavy

142



**1250M**



Straight SAE Flange 3000 PSI

143

**1050M**



90° SAE Flange 3000 PSI

143

**1150M**



45° SAE Flange 3000 PSI

144

**1300M**



Straight SAE Flange 6000 PSI

144

**1100M**



90° SAE Flange 6000 PSI

145

**1200M**45° SAE Flange 6000  
PSI

145

**130SM**

Straight 'CAT' Flange

146

**110SM**

90° 'CAT' Flange

146

**120SM**

45° 'CAT' Flange

147

**F432M - F434M**

POCLAIN Male Flange

147

**F032M - F034M**POCLAIN Female  
Flange

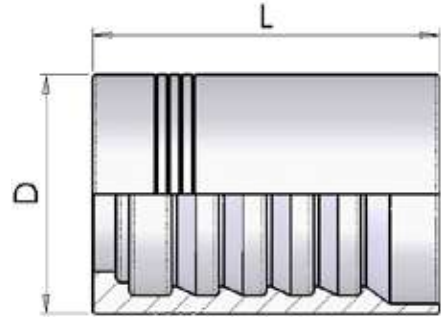
148

**F132M - F134M**90° POCLAIN Female  
Flange

149

# 0019

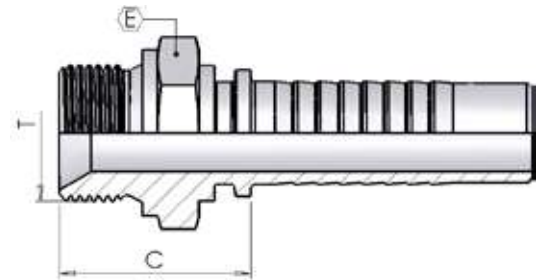
## Swaged Ferrule (skive)



Part number	Hose I.D.	Dimensions		Skive Length
		D	L	
	in			
0019-04	1/4	21	40	30
0019-06	3/8	254	43	31
0019-08	1/2	30	45	34
0019-10	5/8	334	50	38
0019-12	3/4	38	55	39
0019-16	1	46	75	56

# 0350M

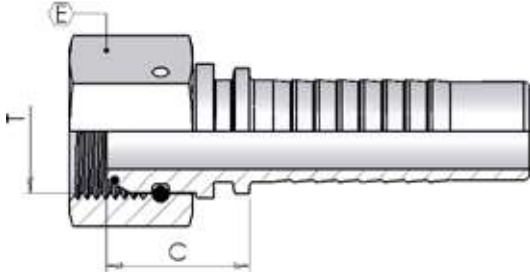
## BSP Male Parallel 60° cone



Part number	Hose I.D.	Dimensions		
		dash size	Hex E	Cut-Off C
	in			
0350M04-04	1/4	04	19	28
0350M06-06	3/8	06	22	30
0350M08-08	1/2	08	27	33
0350M12-12	3/4	12	32	37
0350M16-16	1	16	41	42

# 0050M

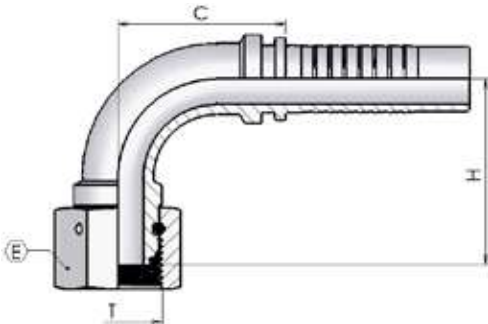
## BSP Female 60° cone Thrust Wire



Part number	Hose I.D.	Dimensions		
		dash size	Hex E	Cut-Off C
0050M04-04	1/4	04	19	20
0050M06-06	3/8	06	22	21
0050M08-08	1/2	08	27	23
0050M12-12	3/4	12	32	27
0050M16-16	1	16	38	30

# 0150M

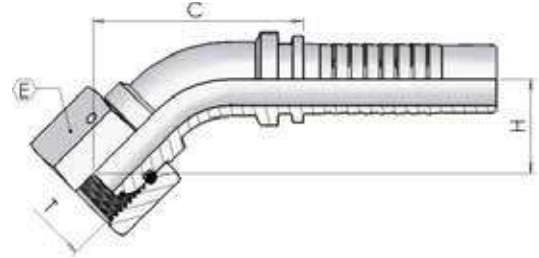
## BSP 90° Swept Elbow 60° cone Thrust Wire



Part number	Hose I.D.	Dimensions		
		dash size	Hex E	Cut-Off C
0150M04-04	1/4	04	19	26
0150M06-06	3/8	06	22	35
0150M08-08	1/2	08	27	40
0150M10-10	5/8	10	30	46
0150M12-12	3/4	12	32	58
0150M16-16	1	16	38	72

# 0250M

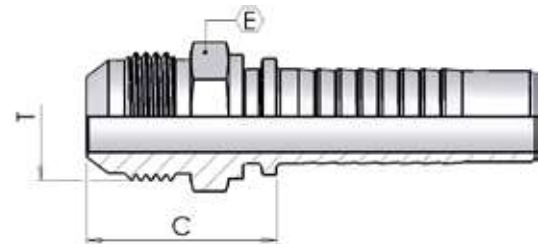
## BSP 45° Swept Elbow 60° cone Thrust Wire



Part number	Hose I.D.	Dimensions		
		dash	Hex	Cut-Off
		size	E	C
0250M04-04	1/4	04	19	43
0250M06-06	3/8	06	22	54
0250M08-08	1/2	08	27	67
0250M10-10	5/8	10	30	70
0250M12-12	3/4	12	32	87
0250M16-16	1	16	38	108

# 0850M

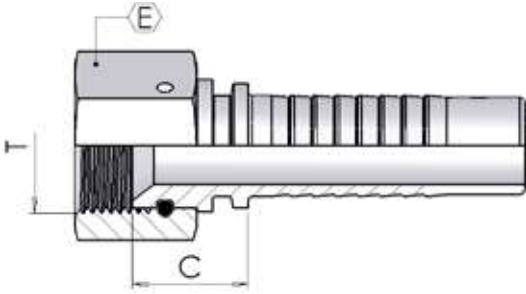
## JIC Male 74° cone



Part number	Hose I.D.	Dimensions		
		dash	Hex	Cut-Off
		size	E	C
0850M04-04	1/4	04	12	28
0850M06-06	3/8	06	15	28
0850M06-08	3/8	06	19	32
0850M08-08	1/2	08	19	32
0850M08-10	1/2	08	24	36
0850M10-10	5/8	10	24	36
0850M10-12	5/8	10	27	40
0850M12-12	3/4	12	27	40
0850M12-16	1	16	34	43
0850M16-16	1	16	34	45

## 0900M

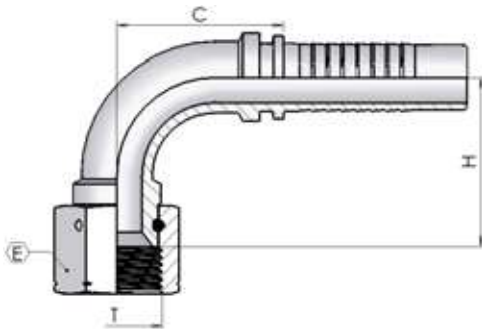
### JIC Female 74° cone Thrust Wire Nut



Part number	Hose I.D.	Dimensions		
		dash size	Hex E	Cut-Off C
	in			
0900M04-04	1/4	04	17	16
0900M06-06	3/8	06	19	18
0900M08-08	1/2	08	24	20
0900M08-10	1/2	08	27	21
0900M10-10	5/8	10	27	21
0900M10-12	5/8	10	32	22
0900M12-12	3/4	12	32	23
0900M12-16	3/4	12	41	26
0900M16-16	1	16	41	27

## 0950M

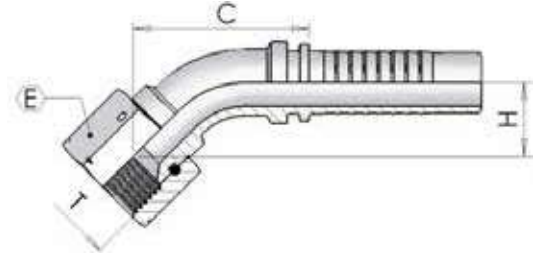
### JIC 90° Swept Elbow 74° cone Thrust Wire



Part number	Hose I.D.	Dimensions		
		dash size	Hex E	Cut-Off C
	in			
0950M04-04	1/4	04	17	26
0950M06-06	3/8	06	19	35
0950M08-08	1/2	08	24	40
0950M08-10	1/2	08	27	40
0950M10-10	5/8	10	27	46
0950M12-12	3/4	12	32	58
0950M16-16	1	16	41	72

# 1000M

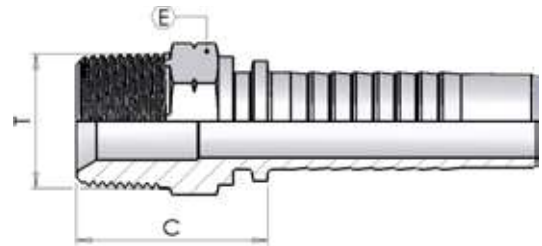
## JIC 45° Swept Elbow 74° cone Thrust Wire



Part number	Hose I.D.	Dimensions		
		dash	Hex	Cut-Off
		size	E	C
	in			
1000M04-04	1/4	04	17	42
1000M06-06	3/8	06	19	53
1000M08-08	1/2	08	24	66
1000M08-10	1/2	08	27	67
1000M10-10	5/8	10	27	69
1000M12-12	3/4	12	32	85
1000M16-16	1	16	41	109

# 0370M

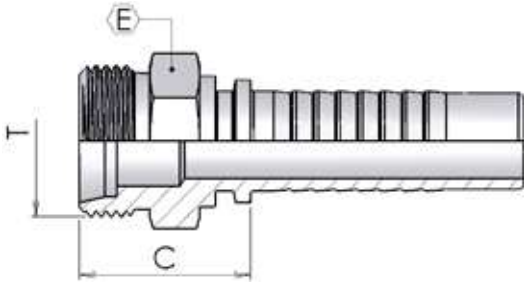
## NPTF Male 60° cone



Part number	Hose I.D.	Dimensions		
		dash	Hex	Cut-Off
		size	E	C
	in			
0370M04-04	1/4	04	15	29
0370M04-06	1/4	04	19	29
0370M06-06	3/8	06	19	29
0370M08-08	1/2	08	22	35
0370M12-12	3/4	12	27	39
0370M16-16	1	16	36	46

# 0450M

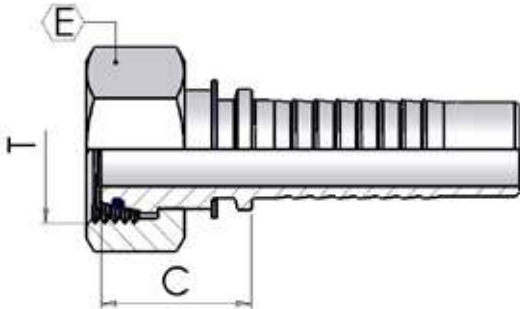
## Metric Male 24° Seat Heavy



Part number	Hose I.D.	Dimensions			
		dash size	Erm	Hex E	Cut-Off C
	in				
0450M08-24	1/2	08	16	24	32
0450M10-30	5/8	10	20	30	34
0450M12-30	3/4	12	20	36	36
0450M12-36	3/4	12	25	36	40
0450M16-42	1	16	30	46	44

# 0084M

## Metric Female 24° Seat Heavy

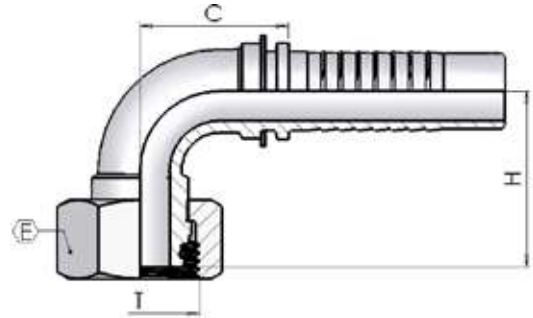


Part number	Hose I.D.	Dimensions			
		dash size	Erm	Hex E	Cut-Off C
	in				
0084M04-16	1/4	04	8	19	27
0084M06-20	3/8	06	12	24	25
0084M08-24	1/2	08	16	30	29
0084M10-30	5/8	10	20	36	34
0084M12-30	3/4	12	20	36	35
0084M12-36	3/4	12	25	46	41
0084M16-36	1	16	25	46	43
0084M16-42	1	16	30	50	45



# 0184M

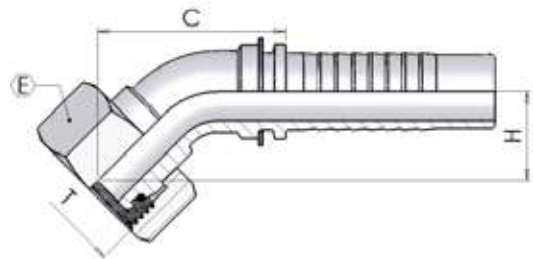
## 90° Metric Swept Elbow 24° Seat Heavy



Part number	Hose I.D.	Dimensions			
		dash		Hex	Cut-Off
	in	size	Erm	E	C
0184M04-16	1/4	04	8	19	28
0184M06-20	3/8	06	12	24	35
0184M08-24	1/2	08	16	30	42
0184M10-30	5/8	10	20	36	47
0184M12-30	3/4	12	20	36	59
0184M12-36	3/4	12	25	46	58
0184M16-42	1	16	30	50	74

# 0284M

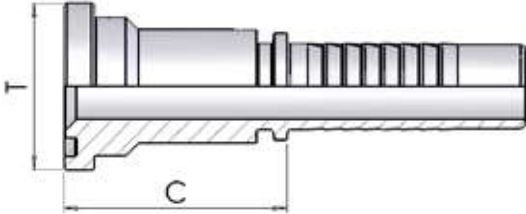
## 45° Metric Swept Elbow 24° Seat Heavy



Part number	Hose I.D.	Dimensions			
		dash		Hex	Cut-Off
	in	size	Erm	E	C
0284M04-16	1/4	04	8	19	38
0284M06-20	3/8	06	12	24	45
0284M08-24	1/2	08	16	30	64
0284M10-30	5/8	10	20	36	74
0284M12-30	3/4	12	20	36	91
0284M12-36	3/4	12	25	46	91
0284M16-42	1	16	30	50	107

# 1250M

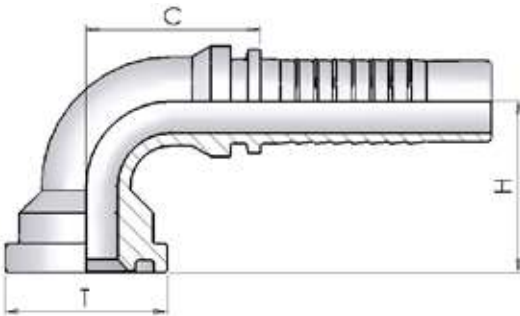
## Straight SAE Flange 3000 PSI



Part number	Hose I.D.	Dimensions			
		dash size	Flange		Cut-Off C
			T	mm	
1250M08-08	1/2	08	1/2	30,2	46
1250M12-12	3/4	12	3/4	38.1	51
1250M12-16	3/4	12	1	44.5	54
1250M16-16	1	16	1	44.5	56
1250M16-20	1	16	1.1/4	50.8	59

# 1050M

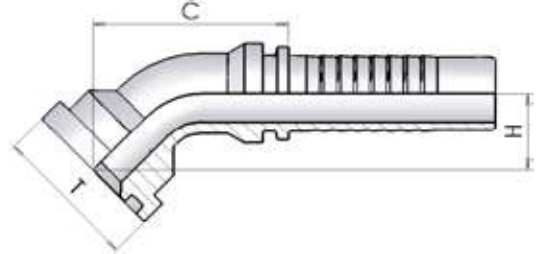
## 90° SAE Flange 3000 PSI



Part number	Hose I.D.	Dimensions			
		dash size	Flange		Cut-Off C
			T	mm	
1050M08-08	1/2	08	1/2	30,2	40
1050M12-12	3/4	12	3/4	38.1	58
1050M12-16	3/4	12	1	44.5	58
1050M16-16	1	16	1	44.5	72
1050M16-20	1	16	1.1/4	50.8	72

# 1150M

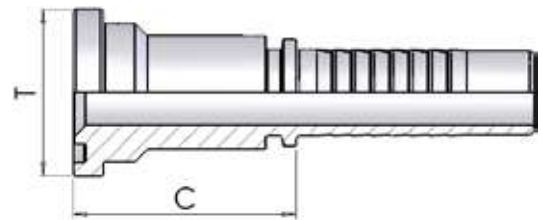
## 45° SAE Flange 3000 PSI



Part number	Hose I.D.	Dimensions			
		dash size	Flange		Cut-Off C
			T	mm	
1150M08-08	1/2	08	1/2	30,2	63
1150M12-12	3/4	12	3/4	38.1	84
1150M12-16	3/4	12	1	44.5	88
1150M16-16	1	16	1	44.5	106
1150M16-20	1	16	1.1/4	50.8	110

# 1300M

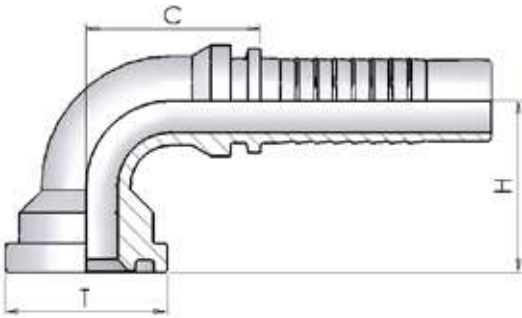
## Straight SAE Flange 6000 PSI



Part number	Hose I.D.	Dimensions			
		dash size	Flange		Cut-Off C
			T	mm	
1300M08-08	1/2	08	1/2	31,8	47
1300M10-12	5/8	10	3/4	41.3	54
1300M12-12	3/4	12	3/4	41.3	55
1300M12-16	3/4	12	1	47.6	61
1300M16-16	1	16	1	47.6	63
1300M16-20	1	16	1.1/4	54	70

# 1100M

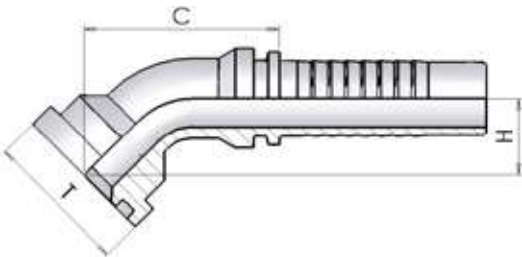
## 90° SAE Flange 6000 PSI



Part number	Hose I.D.	Dimensions			
		dash size	Flange		Cut-Off C
			T	mm	
1100M08-08	1/2	08	1/2	31,8	40
1100M10-12	5/8	10	3/4	41.3	46
1100M12-12	3/4	12	3/4	41.3	58
1100M12-16	3/4	12	1	47.6	56
1100M16-16	1	16	1	47.6	72
1100M16-20	1	16	1.1/4	54	72

# 1200M

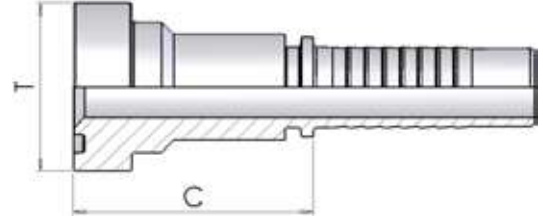
## 45° SAE Flange 6000 PSI



Part number	Hose I.D.	Dimensions			
		dash size	Flange		Cut-Off C
			T	mm	
1200M08-08	1/2	08	1/2	31,8	66
1200M10-12	5/8	10	3/4	41.3	73
1200M12-12	3/4	12	3/4	41.3	87
1200M12-16	3/4	12	1	47.6	94
1200M16-16	1	16	1	47.6	109
1200M16-20	1	16	1.1/4	54	115

# 130SM

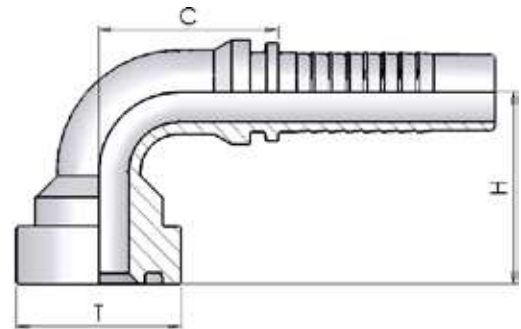
## Straight 'CAT' Flange



Part number	Hose I.D.	Dimensions			
		dash size	Flange		Cut-Off
	in		T	mm	C
130SM12-12	3/4	12	3/4	41	59
130SM12-16	3/4	12	1	48	66
130SM16-16	1	16	1	48	67
130SM16-20	1	16	1.1/4	54	75

# 110SM

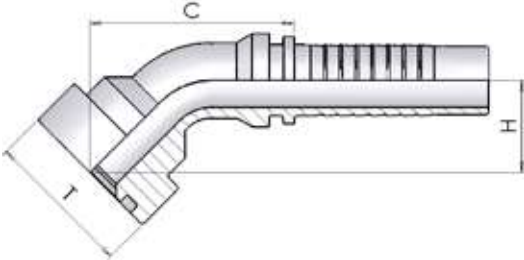
## 90° 'CAT' Flange



Part number	Hose I.D.	Dimensions			
		dash size	Flange		Cut-Off
	in		T	mm	C
110SM12-12	3/4	12	3/4	41	58
110SM12-16	3/4	12	1	48	58
110SM16-16	1	16	1	48	80
110SM16-20	1	16	1.1/4	54	79

# 120SM

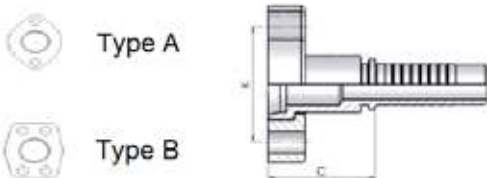
## 45° 'CAT' Flang



Part number	Hose I.D.	Dimensions			
		dash size	Flange		Cut-Off C
			T	mm	
120SM12-12	3/4	12	3/4	41	90
120SM12-16	3/4	12	1	48	97
120SM16-16	1	16	1	48	121
120SM16-20	1	16	1.1/4	54	124

# F432M - F434M

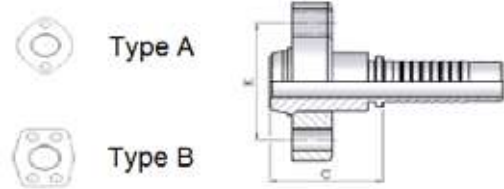
## POCLAIN Male Flange



Part number	Hose I.D.	Dimensions		
		dash size	Flange T	Cut-Off C
F432M08-08	1/2	08	1/2	41
F432M10-10	5/8	10	5/8	41
F432M12-12	3/4	12	3/4	52
F432M16-16	1	16	1	64
F432M20-20	1.1/4	20	1.1/4	70
F434M08-08	1/2	08	1/2	41
F434M10-10	5/8	10	5/8	41
F434M12-12	3/4	12	3/4	52
F434M16-16	1	16	1	64
F434M20-20	1.1/4	20	1.1/4	70

# F032M - F034M

## POCLAIN Female Flange



Part number	Hose I.D.	Dimensions		
		dash	Flange	Cut-Off
		size	T	C
F032M08-08	1/2	08	1/2	45
F032M10-10	5/8	10	5/8	44
F032M12-12	3/4	12	3/4	51
F032M16-16	1	16	1	62
F032M20-20	1.1/4	20	1.1/4	70
F034M08-08	1/2	08	1/2	45
F034M10-10	5/8	10	5/8	44
F034M12-12	3/4	12	3/4	51
F034M16-16	1	16	1	62
F034M20-20	1.1/4	20	1.1/4	82

# F132M - F134M

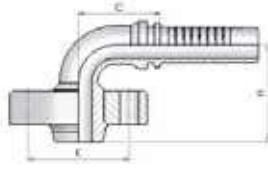
## 90°POCLAIN Female Flange



Type A



Type B



Part number	Hose I.D. in	Dimensions		
		dash	Flange	Cut-Off
		size	T	C
F132M08-08	1/2	08	1/2	40
F132M10-10	5/8	10	5/8	48
F132M12-12	3/4	12	3/4	63
F132M16-16	1	16	1	80
F132M20-20	1.1/4	20	1.1/4	98
F134M08-08	1/2	08	1/2	40
F134M10-10	5/8	10	5/8	48
F134M12-12	3/4	12	3/4	63
F134M16-16	1	16	1	80
F134M20-20	1.1/4	20	1.1/4	98